

Technical data sheet

Product features



Electric range with static oven

Model	SAP Code	00008524
SPLT 780/21 E	A group of articles - web	Stoves



- Device type: Electric unit
- Power consumption of the zone 1 [kW]: 2,5
- Power consumption of the zone 2 [kW]: 2,5
- Power consumption of the zone 3 [kW]: 2,5
- Power consumption of the zone 4 [kW]: 2,5
- Type of internal part of the appliance 1 (eg oven): Electric
- Type of internal part of the appliance 2 (eg oven): Static
- Protection of controls: IP24
- Material: AISI 304 top plate and cladding

SAP Code	00008524	Number of zones	4
Net Width [mm]	800	Power consumption of the zone 1 [kW]	2,5
Net Depth [mm]	730	Power consumption of the zone 2 [kW]	2,5
Net Height [mm]	900	Power consumption of the zone 3 [kW]	2,5
Net Weight [kg]	122.90	Power consumption of the zone 4 [kW]	2,5
Power electric [kW]	16.300	Type of internal part of the appliance 1 (eg oven)	Electric
Loading	400 V / 3N - 50 Hz	Type of internal part of the appliance 2 (eg oven)	Static

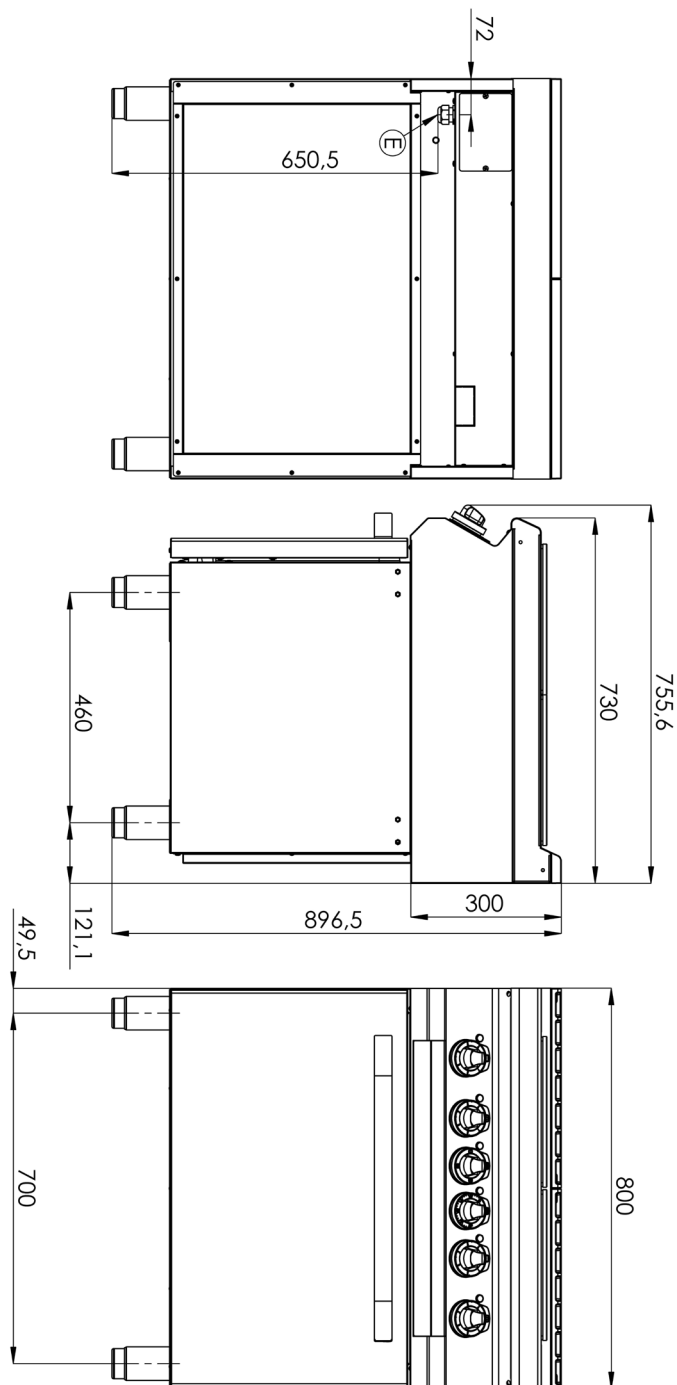
Technical data sheet

Technical drawing



Electric range with static oven

Model	SAP Code	00008524
SPLT 780/21 E	A group of articles - web	Stoves



Technical data sheet

Product benefits



Electric range with static oven

Model	SAP Code	00008524
SPLT 780/21 E	A group of articles - web	Stoves

1

Square

heat
Effective cooking on a large neighborhood

2

Internal thermostatic protection of the hob

a longer life of the hob

3

Degree of protection of controls IPX4

maintenance -free
water resistance
long life

4

Nationheres

long life
Cut -made steel of 10 mm thick boards

5

Hygienic embossments of the top plate

absence of sharp corners and edges (potential places where dirt could adhere)
smooth transitions

6

Large EL.Troubta with four positions for grates with static baking

static baking
high capacity and variability
nationheres

Technical data sheet

Technical parameters



Electric range with static oven

Model	SAP Code	00008524
SPLT 780/21 E	A group of articles - web	Stoves

1. SAP Code:

00008524

2. Net Width [mm]:

800

3. Net Depth [mm]:

730

4. Net Height [mm]:

900

5. Net Weight [kg]:

122.90

6. Gross Width [mm]:

840

7. Gross depth [mm]:

800

8. Gross Height [mm]:

1080

9. Gross Weight [kg]:

132.00

10. Device type:

Electric unit

11. Construction type of device:

Stationary

12. Power electric [kW]:

16.300

13. Loading:

400 V / 3N - 50 Hz

14. Protection of controls:

IP24

15. Exterior color of the device:

Stainless steel

16. Material:

AISI 304 top plate and cladding

17. Indicators:

operation

18. Worktop type:

Molded - comfortable cleaning maintenance

19. Worktop material:

AISI 304

20. Worktop Thickness [mm]:

1.50

21. Number of zones:

4

22. Power consumption of the zone 1 [kW]:

2,5

23. Power consumption of the zone 2 [kW]:

2,5

24. Power consumption of the zone 3 [kW]:

2,5

25. Power consumption of the zone 4 [kW]:

2,5

26. Maximum device temperature [°C]:

400

27. Minimum device temperature [°C]:

50

28. Number of power control stages:

6

Technical data sheet

Technical parameters



Electric range with static oven

Model	SAP Code	00008524
SPLT 780/21 E	A group of articles - web	Stoves

29. Service accessibility:

Trough the frontal panel

30. Adjustable feet:

Yes

31. Number of burners/hot plates:

4

32. Type of electric cooking zones:

Squared

33. Oven Type:

electrical static

34. Oven power electric [kW]:

6.30

35. Oven size:

GN 2/1

36. Type of internal part of the appliance 1 (eg oven):

Electric

37. Type of internal part of the appliance 2 (eg oven):

Static

38. Gasket:

Yes

39. Maximum temperature of the inner chamber [°C]:

300

40. Minimum temperature of the inner chamber [°C]:

50

41. Cross-section of conductors CU [mm²]:

5